

## SPECIFICATIONS

### Operating voltage

8-11 volt

### Power consumption:

During standby with six charged receivers

145 mA max.

During the charge of six receivers

600 mA max.

### Max. charging current for each receiver:

NiCd

18 - 32 mA

NiMh

45 - 83 mA

Charging time:

14 - 16 uur

Dimensions (H x L x W)

62 x 82 x 203 mm

Weight (including power supply adapter)

870 gram



## Instruction Manual

## Omikron CallHelp 400 C6

## DESKTOPCHARGER

### Declaration of conformity

Hereby we declare that the following product:

#### **Omikron CallHelp 400 C6**

fulfils all product standards, tests and safety requirements according to the guidelines 1995/5/EG (R&TTE-RL) .

Product description: Six fold desktop charging unit



Omikron Europe B.V.  
Kolenbranderstraat 20D  
2984 AT Ridderkerk  
The Netherlands  
tel. 00 31 (0) 180 - 417011  
fax. 00 31 (0) 180 - 461213  
web:

<http://www.omikron-europe.com/>

e-mail:

<mailto:info@omikron-europe.com>

Ridderkerk, 01.06.2004

A.M. de Raadt

Read this manual carefully before you start using this product.  
For all items regarding the maintenance and use of this product not mentioned in this manual you should contact your supplier.

Your desktop charger Omikron CallHelp 400C6 is specially designed for the charging of the Omikron CallHelp 400RX call receivers. Maximum six receivers can be charged at the same time by placing them in the charge compartments. The batteries can be fully charged in 14 hours.

### **CHARACTERISTICS**

#### **Charging switch NiCd/NiMh**

With this switch, you can adjust whether you can charge the receivers when supplied with NiCd batteries or with NiMh batteries.

#### **Six charge compartments**

You can charge maximum six receivers at the same time.

#### **Automatic charge**

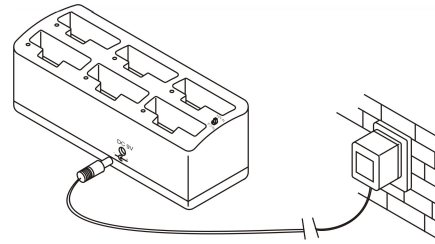
The C6 begins to charge automatically when a receiver is being placed in a charge unit

#### **Time limitation**

The charging stops automatically after 14 to 16 hours.

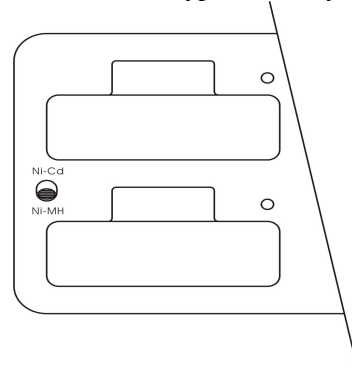
#### **Charge indicator**

Will turn into red when the charging process is in function and it turns into green when the charging process is completed.



### **SETUP OF TYPE OF BATTERY**

Before you charge the batteries, the C6 has to be setup to the type of battery that is placed in the receiver: This is done by placing the slide switch NiCd/NiMh in the position suitable to the type of battery.



#### **Important:**

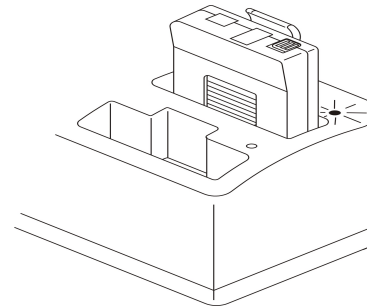
Place no receiver with non rechargeable, mixed batteries or different capacities together in the charger.

Never charge receivers that work with NiCd batteries while the switch NiCd/NiMh indicates NiMh. This can cause the batteries and the receiver serious damage.

## **CHARGING RECEIVERS**

The receivers CallHelp 400RX have to be charged only when the receiver's indicator "battery low" is activated. The batteries are then almost empty and the receiver will beep every five minutes. If you press the on/off switch of the receiver, a "b" will appear on the display.

1. Place the receiver, either equipped with 2 NiCd batteries or with 2 NiMh batteries, in one of the charge compartments. The LED indicator is first green and then it turn into red.



2. The batteries are charged in 14-16 hours. The charge indicator will turn into green with the charge process is completed.

### **REMARKS**

- Charge only empty receivers
- During the charge, please do not take out the receiver from the charge unit to place it back immediately after. By doing this, the charge cycle starts again causing damage to the batteries and to the receiver.
- If you have question or something is unclear, please contact your supplier.

### **MAINTENANCE**

- This device has to be used only indoors.
- Please use the charger only in a dry environment at room temperature.
- Please handle this charger carefully. Don't let it fall.
- Keep the charger free of dust, moisture and dirt.
- Keep this manual carefully.

The charger contains no elements that can be adjusted by the user. The unauthorized opening of the charger leads to the expiry of the guarantee.



